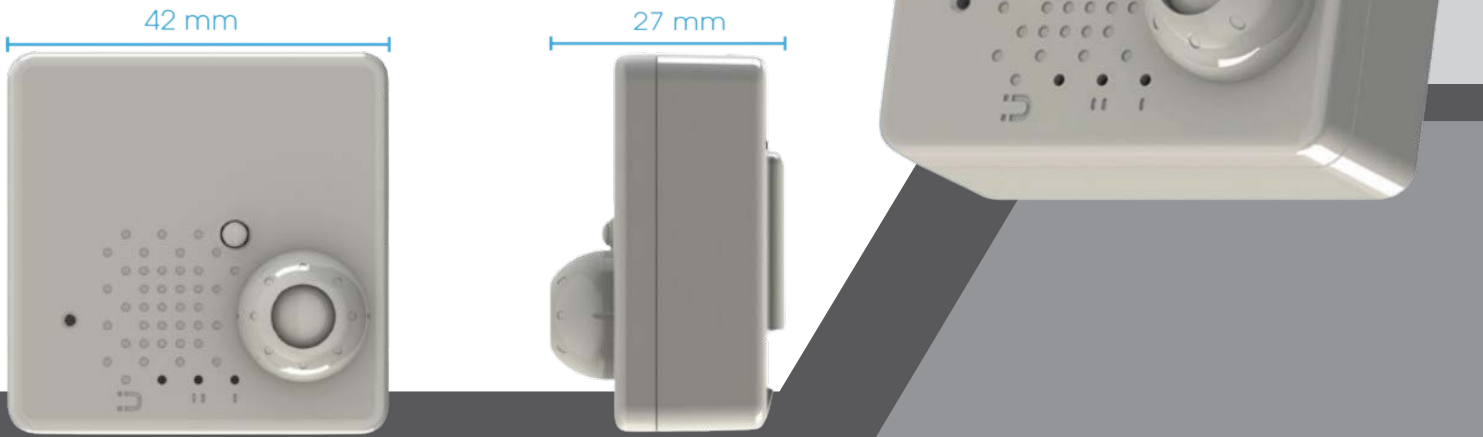


Indoor TempHum with PIR

The packetSENSE PIR Room Sensor integrates practical functionality into a very small form factor. This device is an ideal solution for holistically monitoring the home and office environment. The device is capable of measuring and reporting temperature, humidity, light, movement, motion, shock, detecting open / closed doors and windows. It also supports battery status updates for easy maintenance.



Features

- User Configurable Parameters and Thresholds
- Designed for Optimal Battery Life
- Multiple PIR Masking Options
- Long Battery Life
- Wall, Ceiling or Table Mount Configurations
- Simple Deployment
- Sleek and Unobtrusive Design

Applications

- Smart Home & Office
- Indoor Environment Monitoring
- Room Occupancy
- Facility Management
- Desk Occupancy
- Point of Entry Security
- HVAC Optimization

Technical Specification

Data Communication Support

| | |
|------------|---------------|
| Technology | LoRaWAN® |
| Frequency | EU868/AS923-3 |
| Tx Power | 14 dBm |

General System Parameters

| | |
|-------------------------|---|
| Operational Temperature | 0°C to 60°C (10°C to 40°C optimal) |
| Storage Temperature | -30°C to 60°C (0°C to 30°C optimal) |
| Relative Humidity | 5% - 95% Non-Condensing (Operational) |
| Ingress Protection | IP30 |
| Size | 42 x 42 x 26 mm (enclosure) 42 x 42 x 27 mm (with bracket) |
| Weight | 28g |

Electrical

| | |
|-------------------------|--|
| Battery | CR2477 |
| External Connector | Connector Type: JST A02ZR02ZR28H305B ≤ 20Hz (Pulse Reading) Driven by open drain/relay contact |
| Operational Temperature | 60°C |

PIR Detection Range (Wall Mount)

| | Wall Mounted | Ceiling Mounted |
|---------|--------------|-----------------|
| X Angle | 70° | 70° |
| Y Angle | 20° | 84° |
| Height | 5 m | 3 m |