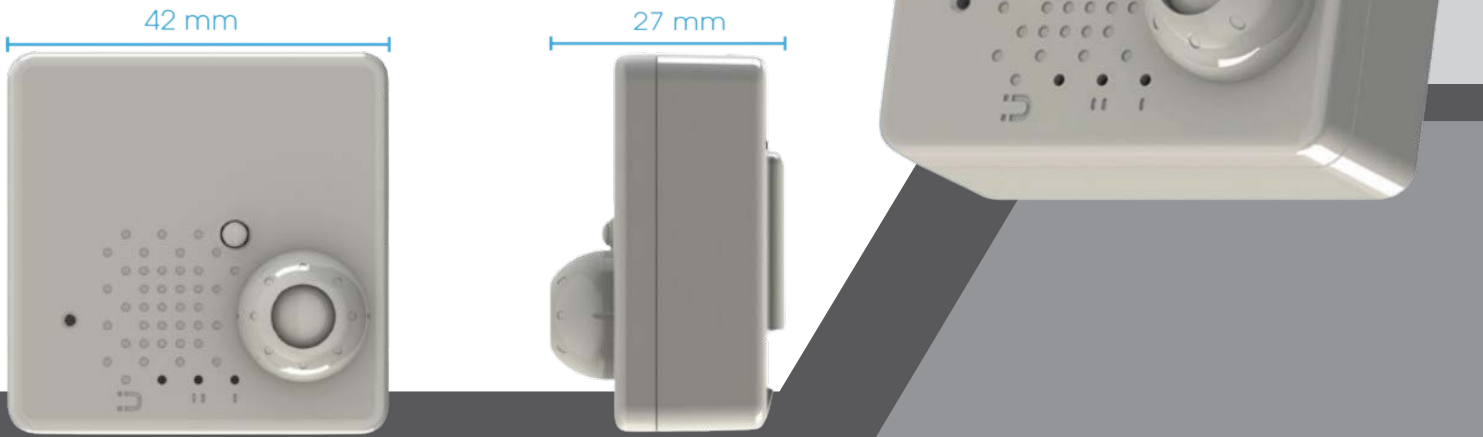


packetSENSE

Indoor Temperature with PIR

The packetSENSE PIR Room Sensor integrates practical functionality into a very small form factor. This device is an ideal solution for holistically monitoring the home and office environment. The device is capable of measuring and reporting temperature, humidity, light, movement, motion, shock, detecting open / closed doors and windows. It also supports battery status updates for easy maintenance.



Features

- User Configurable Parameters and Thresholds
- Designed for Optimal Battery Life
- Multiple PIR Masking Options
- Long Battery Life
- Wall, Ceiling or Table Mount Configurations
- Simple Deployment
- Sleek and Unobtrusive Design

Applications

- Smart Home & Office
- Indoor Environment Monitoring
- Room Occupancy
- Facility Management
- Desk Occupancy
- Point of Entry Security
- HVAC Optimization

Technical Specification

Data Communication Support

Technology	LoRaWAN®
Frequency	EU868/AS923-3
Tx Power	14 dBm

General System Parameters

Operational Temperature	0°C to 60°C (10°C to 40°C optimal)
Storage Temperature	-30°C to 60°C (0°C to 30°C optimal)
Relative Humidity	5% - 95% Non-Condensing (Operational)
Ingress Protection	IP30
Size	42 x 42 x 26 mm (enclosure) 42 x 42 x 27 mm (with bracket)
Weight	28g

Electrical

Battery	CR2477
External Connector	Connector Type: JST A02ZR02ZR28H305B ≤ 20Hz (Pulse Reading) Driven by open drain/relay contact
Operational Temperature	60°C

PIR Detection Range (Wall Mount)

	Wall Mounted	Ceiling Mounted
X Angle	70°	70°
Y Angle	20°	84°
Height	5 m	3 m

packetworx

WE CONNECT THINGS

Packetworx IoT Technology Hub
G/F ISquare Building, 15 Meralco Avenue,
Ortigas, Pasig City, 1605, Philippines

(+632) 7971-9211 | (+63) 917-189-7613